

# Masa

Switches & Sockets



Frameless



With Frame



# Edge of excellence with a modern design

Complete solution of wiring accessories range



# Elevate your Decor with Slim Switches

Curved and slim profile



# Powered with confidence

New design for easier,  
quicker and stable installation

Modis



# USB Type A+C ports with power delivery feature



# Multiple choices of colors for you



# Masa

## Switches & Sockets

### Ordering Tip

To construct an order code, add the color code to the product code.

### Example:

**RBF201** is the product code for a 16A 1W switch **2** Gang

**7X7** and **SG** is the color code for the Silver Glossy.

The order code will be: **RBF201-SG**

## Standard Colors

---



White



Black  
BG



Silver  
SG

## Additional Colors

---

*\*Based on Special Request*



Pearl  
PL



Silver matt  
SM



Champagne  
CH



Gold matt  
GM



Stainless steel  
SSG



Gold glossy  
GG



Brass  
BS



Copper matt  
COM



Pink  
PK



Alpine Green AF23  
GG



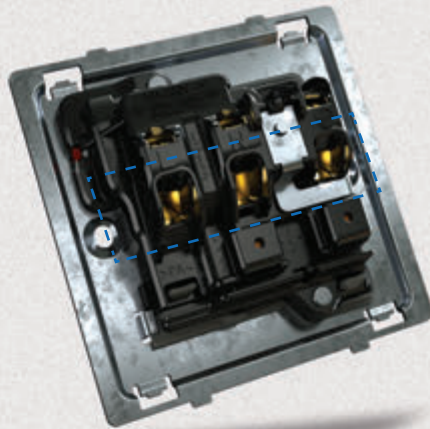
## Superior Quality

*We ensure the superior quality of our products by using engineered robust thermoplastic that is durable, flexible, and the resilience to withstand hard impacts, flame retardant and built to last.*



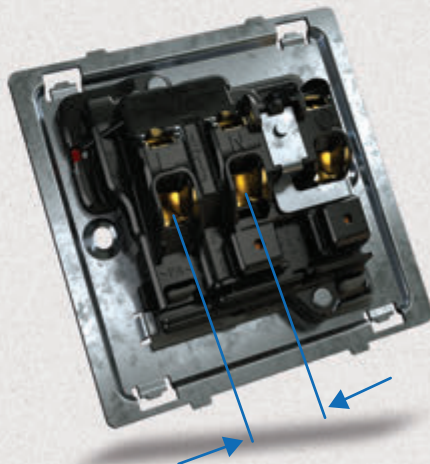
## Inline Terminals

*Inline terminals provide easy wiring and installation.*



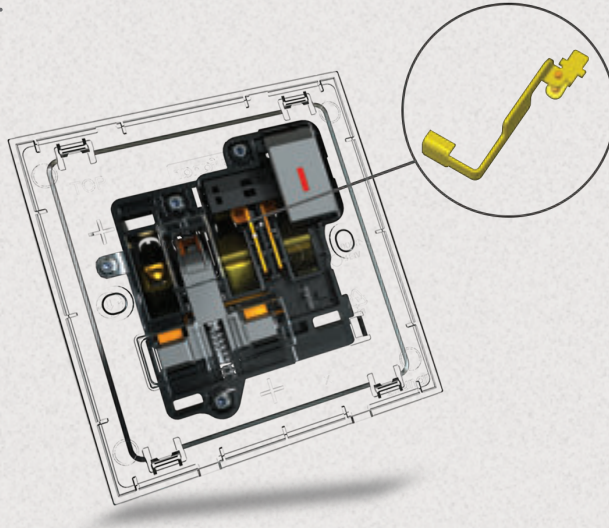
## Easy Installation

*More spacing between L & N terminal provides more reliability and easy wire installation.*



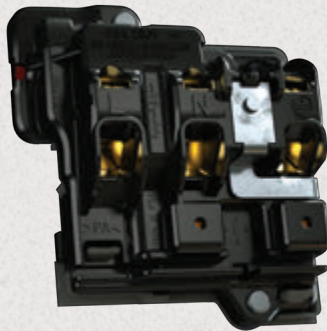
## Make/Break

*Silver alloy rivet contacts are used in make / break areas, which helps in contact life.*



## Cable Terminal Funnel Shape

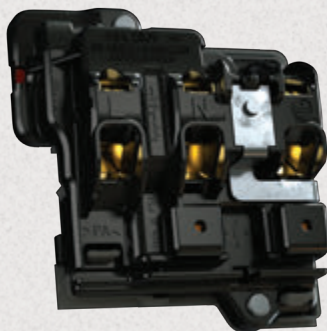
*Funnel shape provided in socket housing for easy cable insertion.*



## High Conductivity Copper Cleats

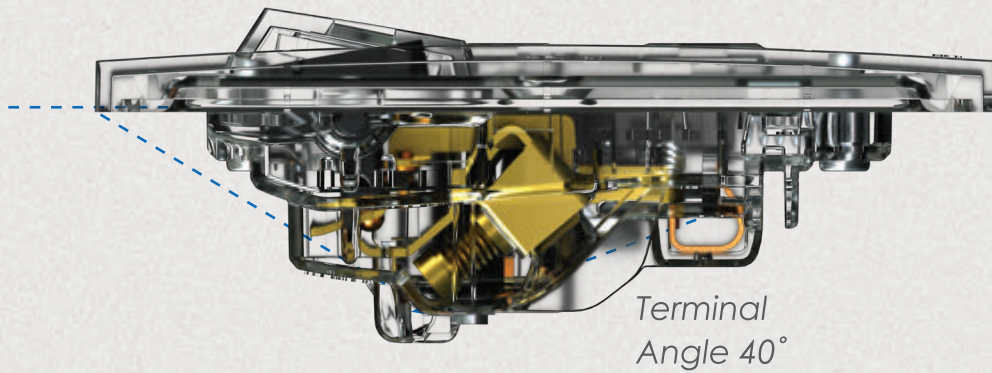
*Made from the highest purity of copper alloys to ensure high efficiency transmission of electric current, with minimal heat generation.*

*This extends the life of the product and reduces the risk of electrical fires.*



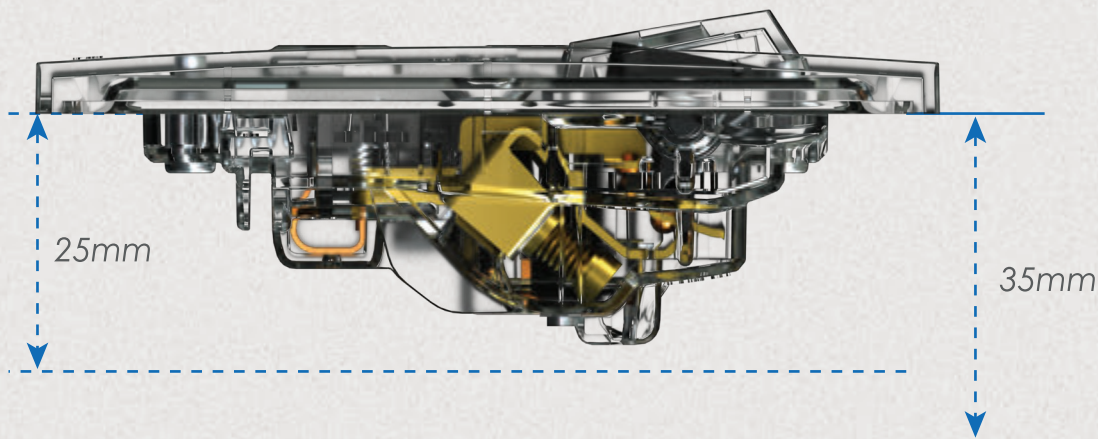
## Angled Terminals

Top mounted terminal screws to simplify wiring for easy installation.



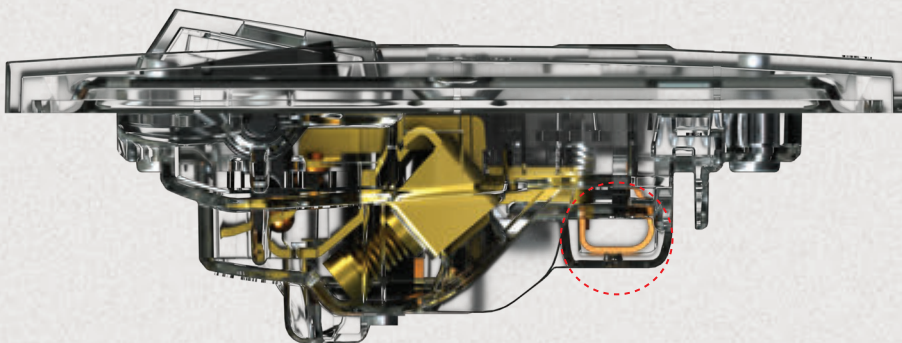
## Wiring Space

Compact design, allows the product with >5mm ID height fits in 25mm box



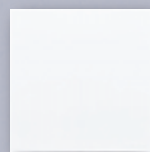
## Anti-Loosening Mechanism

The socket's inner copper contacts are made of phosphor bronze, skillfully crafted to maintain its flexibility and compression with the plug terminals, preventing loosening over time and extend the product's life.



# Lighting & Bell Switches

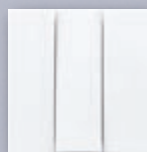
16A (BS EN 60669-1 / SASO IEC 60669-1 / IEC60669-1)



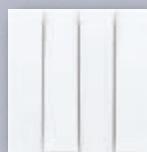
RBF101 / RBF102



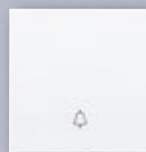
RBF201 / RBF202



RBF301 / RBF302



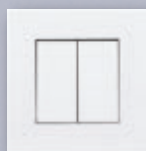
RBF401 / RBF402



RBF103



RBW101 / RBW102



RBW201 / RBW202



RBW301 / RBW302



RBW401 / RBW402



RBW103



RBW2401 / RBW2402

**RBF101**  
MASA FBR 16AX 1W SWITCH  
1GANG 7X7

**RBF102**  
MASA FBR 16AX 2W SWITCH  
1GANG 7X7

**RBF201**  
MASA FBR 16AX 1W SWITCH  
2GANG 7X7

**RBF202**  
MASA FBR 16AX 2W SWITCH  
2GANG 7X7

**RBF301**  
MASA FBR 16AX 1W SWITCH  
3GANG 7X7

**RBF302**  
MASA FBR 16AX 2W SWITCH  
3GANG 7X7

**RBF401**  
MASA FBR 16AX 1W SWITCH  
4GANG 7X7

**RBF402**  
MASA FBR 16AX 2W SWITCH  
4GANG 7X7

**RBF103**  
MASA FBR 16A BELL SWITCH  
1GANG 7X7

**RBW101**  
MASA WR 16AX 1W SWITCH  
1GANG 7X7

**RBW102**  
MASA WR 16AX 2W SWITCH  
1GANG 7X7

**RBW201**  
MASA WR 16AX 1W SWITCH  
2GANG 7X7

**RBW202**  
MASA WR 16AX 2W SWITCH  
2GANG 7X7

**RBW301**  
MASA WR 16AX 1W SWITCH  
3GANG 7X7

**RBW302**  
MASA WR 16AX 2W SWITCH  
3GANG 7X7

**RBW401**  
MASA WR 16AX 1W SWITCH  
4GANG 7X7

**RBW402**  
MASA WR 16AX 2W SWITCH  
4GANG 7X7

**RBW103**  
MASA WR 16A BELL SWITCH  
1GANG 7X7

**RBW2401**  
MASA WR 16AX 1W SWITCH  
2GANG 7X14

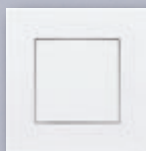
**RBW2402**  
MASA WR 16AX 2W SWITCH  
2GANG 7X14

# Water Heater & Air Conditioner Switches

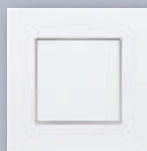
20A & 45A (BS EN 60669-1 / SASO IEC 60669-1 / IEC60669-1)



RBW104



RBW117



RBW118



RN17



RN18



RN17-PRO2



RN18-PRO2

**RBW104**  
MASA WR 20A DP SWITCH  
W/INDI 1GANG 7X7

**RBW117**  
MASA WR 20A INTERMEDIAT  
SWITCH 1GANG 7X7

**RBW118**  
MASA WR 20A 2WAY SWITCH  
1GANG 7X7

**RN17**  
MASA WR 45A DP SWITCH  
W/INDICATOR 1G 7X7

**RN18**  
MASA WR 45A DP SWITCH  
W/INDICATOR 7X14

**RN17-PRO2**  
MASA WR 45A DP SWITCH  
A/C PRINT 1G 7X7

**RN18-PRO2**  
MASA WR 45A DP SWITCH  
A/C PRINT 7X14

# LED Dimmer and Fan Regulator

Dimmer (SASO IEC 60669-1) Fan Regulator (IEC 60875)



RB196



RB230

## RB196

MASA 100W 240V 50/60HZ LED  
DIM 1G 7X7

## RB230

MASA 80W 50/60 Hz 240V FAN  
REGULATOR 360D 1G 7X7

---

# Power Socket Outlets RCD Socket and USB Solutions

13A (BS 1363 & SASO 2203) 13A RCD (BS 7288 & SASO IEC 62640)



RN12



RN13



RN23



RN67



RN50



RN51



RN124



RN125

## RN12

MASA 13A 250V DP SWITCHED  
SOCKET 1G 7X7

## RN23

MASA 13A 250V DP SWTSKT  
W/INDI 1G 7X7

## RN50

MASA 13A DP SWSKT RCD  
30mA LATCH 1G 7X7

## RN124

MASA 13A 240V DP SWSKT +  
20W USB A+C 1G 7X7

## RN13

MASA 13A 250V DP SWITCHED  
SOCKET 2G 7X14

## RN67

MASA 13A 250V DP SWTSKT  
W/INDI 2G 7X14

## RN51

MASA 13A DP SWSKT RCD  
30mA LATCH 2G 7X14

## RN125

MASA 13A 240V DP SWSKT +  
20W USB A+C 2G 7X14

# Data / Telephone Outlets

## Satellite Outlets

BS 5733 (where applicable)



RB110



RB106



RB206



RB20637



RB20610



RB20689

**RB110**  
MASA SATELLITE ANGULAR  
SOCKET 1G 7X7

**RB206**  
MASA AMERICAN TELE RJ11  
6P6C 2G 7X7

**RB20610**  
MASA RJ11 6P6C SKT + SAT  
ANG SKT 1G 7X7

**RB106**  
MASA AMERICAN TELE RJ11  
6P6C 1G 7X7

**RB20637**  
MASA RJ11 6P6C + RJ45 CAT6  
SKT 1G 7X7

**RB20689**  
MASA RJ11 6P6C + RJ45  
CAT6A SKT 1G 7X7

---

# Data / Telephone Outlets

BS 5733 (where applicable)



RB119



RB219



RB137



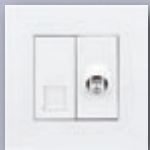
RB189



RB237



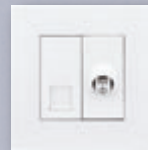
RB289



RB23710



RB21937



RB21910



RB21989

**RB119**  
MASA AMERICAN TELE RJ11  
6P4C 1G 7X7

**RB189**  
MASA RJ45 CAT6A DATA  
SOCKET 1G 7X7

**RB23710**  
MASA RJ45 CAT6 SKT + SAT  
ANG SKT 1G 7X7

**RB21989**  
MASA RJ11 6P6C + RJ45  
CAT6A SKT 1G 7X7

**RB219**  
MASA AMERICAN TELE RJ11  
6P4C 2G 7X7

**RB237**  
MASA DATA RJ45 CAT6  
SOCKET 2G 7X7

**RB21937**  
MASA RJ11 6P6C + RJ45 CAT6  
SKT 1G 7X7

**RB137**  
MASA DATA RJ45 CAT6  
SOCKET 1G 7X7

**RB289**  
MASA RJ45 CAT6A DATA  
SOCKET 2G 7X7

**RB21910**  
MASA RJ45 CAT6A SKT + SAT  
ANG SKT 1G 7X7

# Euro Media Plates/ Card Switches Connection Units / Flex outlets

Media Plates (BS 5733) Card Switches ( SASO IEC 60669-2-3) FCU (BS 1363) DP Switches with Flex-outlets ( SASO IEC 60669-1)



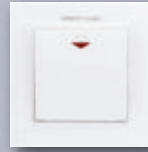
RNE01



RNE02



RNE04



RN56



RN122



RN123



RN94



RN95



RN111

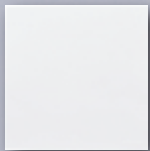


RN112

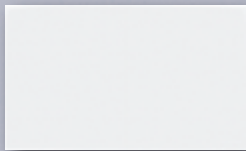
- |   |   |   |   |
|---|---|---|---|
| <p><b>RNE01</b><br/>MASA WR MEDIA PLATE 25X50<br/>7X7</p>   | <p><b>RN56</b><br/>MASA CARD SWITCH PH 16A<br/>250V 1G 7X7</p>            | <p><b>RN94</b><br/>MASA 13A 250V DP SWITCH<br/>FCU W/INDI 1G 7x7</p>          | <p><b>RN112</b><br/>MASA 20A 250V DP SWITCH<br/>W/FLEX 1G 7X7</p> |
| <p><b>RNE02</b><br/>MASA WR MEDIA PLATE 50X50<br/>7X7</p>   | <p><b>RN122</b><br/>MASA 13A 250V UNSWITCHED<br/>FCU INDICATOR 1G 7X7</p> | <p><b>RN95</b><br/>MASA 13A 250V DP SWITCH<br/>FCU 1G 7x7</p>                 |   |
| <p><b>RNE04</b><br/>MASA WR MEDIA PLATE<br/>100X50 7X14</p> | <p><b>RN123</b><br/>MASA 13A 250V UNSWITCHED<br/>FCU 1G 7X7</p>           | <p><b>RN111</b><br/>MASA 20A 250V DP SWITCHED<br/>W/FLEX &amp; IND 1G 7X7</p> |   |

## Blank Plates

BS 5733



RB108



RB2408

- |  |  |
|--|--|
| <p><b>RB108</b><br/>MASA BLANK PLATE 1GANG<br/>7x7</p> | <p><b>RB2408</b><br/>MASA BLANK PLATE 2GANG<br/>7x14</p> |
|--|--|

## \*Export Items

BS5733 , IEC 60884, IEC 60947-3

- |   |   |  |
|---|---|--|
| <p><b>RN69</b><br/>MASA 15A 250V SWITCHED<br/>SOCKET 1G 7X7</p>               | <p><b>RN126</b><br/>MASA 1G 16A UNSWITCHED<br/>INTERNATIONAL SOCKET 7x7</p> | <p><b>RB114</b><br/>MASA BRITISH TELE SLAVE SKT<br/>25X50 1G 7X7</p>   |
| <p><b>RN118</b><br/>MASA 16A 250V SWITCHED<br/>INTERNATIONAL SWSKT 1G 7X7</p> | <p><b>RB105</b><br/>MASA BRITISH TEL MASTER SKT<br/>25X50 1G 7X7</p>        | <p><b>RN113</b><br/>MASA WR 10AX 3P FAN<br/>ISOLATOR SWITCH 1G 7X7</p> |

(\*) Available only for export market  
Not available for KSA

# Quality Tests:

## Switch Endurance Test

*40,000 Operations with rated voltage and rated current*



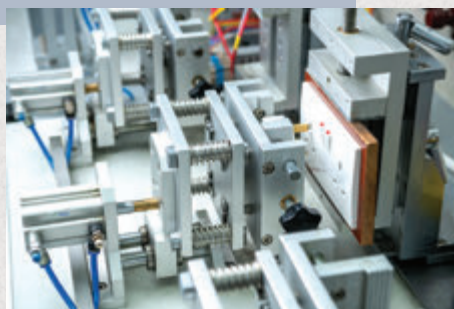
## Switched Socket Endurance Test

*30,000 Operations with rated voltage and rated current*



## Plug and Socket Endurance test

*30,000 Operations with rated voltage and rated current*



## USB Mechanical Endurance test

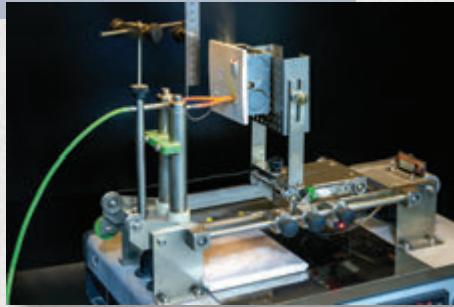
*Up to 20,000 mechanical operations*





## Flame Retardant Test

*Glow wire test up to 850°C*



## Temperature Rise Test

*Switches & Sockets shall not attain excessive temperature*



## Resistance to Humidity Test

*Testing the effects of humidity on products*



# Free Maintenance Service at Home for alfanar Products

Switches, Sockets, Distribution Boards, & Circuit Breakers



Our customer satisfaction rate was 94.4%  
on services delivered by our Technical Support team.

Customer Service  
**800-124-1333**

Scan the QR code  
to learn more about our  
free maintenance service







Scan the QR to download the catalogue

173396\_Sep.2023