

alfanar MODULAR ENCLOSURES





PARTNERSHIP

SAFETY

DURABILITY

Modular Enclosures

APPLICATIONS

alfanar Modular Enclosures are standard products suitable for mounting various types of din rail mounted LV components. They are used for a safe and reliable distribution and control of power.



- Available up to 6 rows
- Door earthing provided to ensure earth continuity.
- Adjustable painted mounting assembly made of electro-galvanized Steel
- Fine texture polyester powder coated in RAL 7035 light grey colour & RAL 9010 white.
- Each row is capable of holding up to 24 din rail modules.

Modular Enclosures

SPECIFICATIONS:

- Made of high quality electro-galvanized steel sheet of thickness up to 1.2mm
- Fine texture polyester powder coated in RAL 7035 light grey color & RAL 9010 White
- Complies with IEC 60529 standards
- Degree of protection IP41

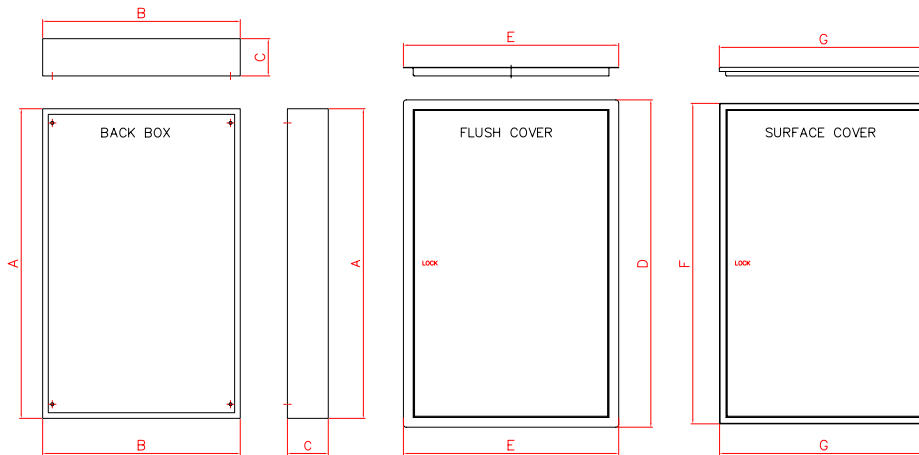


FEATURES:

- Press-formed Dead Front Cover (DFC) and door for better strength and aesthetic look*
- Hemming on box edges for additional mechanical strength.
- Circuit numbers are embossed on the DFC**
- Knockouts on both top and bottom sides of the enclosure
- Adjustable painted rail mounting assembly made of electro-galvanized steel
- Spacious enclosures facilitating ease of wiring and efficient heat dissipation
- Easily removable hinges, ideal for changing the door-opening direction
- Available in Flush and Surface mounting types
- Available up to 6 rows and each row can have up to 24 modules***
- Customized powder coating colors and textures upon request
- C-bend on hinge door for additional stiffness and strength****

*	Available for 1-3 Rows 16 Modules
**	Available for 1-4 Rows 16 Modules
***	Refer to Order Reference Tables
****	Available for 4-6 Rows 16 Modules

Product Range



Modular Enclosure 12 Modules



MODULAR ENCLOSURE 12 MODULES WITH SLIDE LOCK									
No Of Rows	Ref Code		Box Dimensions			Cover Flush		Cover Surface	
	Flush	Surface	A	B	C	D	E	F	G
1	45-112MS00F	45-112MS00S	300	365	115	325	390	305	370
2	45-212MS00F	45-212MS00S	450	365	115	475	390	455	370
3	45-312MS00F	45-312MS00S	600	365	115	625	390	605	370
4	45-412MS00F	45-412MS00S	750	365	115	775	390	755	370
5	45-512MS00F	45-512MS00S	900	365	115	925	390	905	370
6	45-612MS00F	45-612MS00S	1050	365	115	1075	390	1055	370

Product Range **Modular Enclosure 12 Modules**

MODULAR ENCLOSURE 12 MODULES WITH KEY LOCK

No Of Rows	Ref Code		Box Dimensions			Cover Flush		Cover Surface	
	Flush	Surface	A	B	C	D	E	F	G
1	45-112MK00F	45-112MK00S	300	365	115	325	390	305	370
2	45-212MK00F	45-212MK00S	450	365	115	475	390	455	370
3	45-312MK00F	45-312MK00S	600	365	115	625	390	605	370
4	45-412MK00F	45-412MK00S	750	365	115	775	390	755	370
5	45-512MK00F	45-512MK00S	900	365	115	925	390	905	370
6	45-612MK00F	45-612MK00S	1050	365	115	1075	390	1055	370

MODULAR ENCLOSURE 12 MODULES WITH SLIDE LOCK, EARTH & NEUTRAL

No Of Rows	Ref Code		Box Dimensions			Cover Flush		Cover Surface	
	Flush	Surface	A	B	C	D	E	F	G
1	45-112MSNEF	45-112MSNES	300	365	115	325	390	305	370
2	45-212MSNEF	45-212MSNES	450	365	115	475	390	455	370
3	45-312MSNEF	45-312MSNES	600	365	115	625	390	605	370
4	45-412MSNEF	45-412MSNES	750	365	115	775	390	755	370
5	45-512MSNEF	45-512MSNES	900	365	115	925	390	905	370
6	45-612MSNEF	45-612MSNES	1050	365	115	1075	390	1055	370

MODULAR ENCLOSURE 12 MODULES WITH TRANSPARENT DOOR, KEYLOCK, EARTH & NEUTRAL

No Of Rows	Ref Code		Box Dimensions			Cover Flush		Cover Surface	
	Flush	Surface	A	B	C	D	E	F	G
1	45-112TKNEF	45-112TKNES	300	365	115	325	390	305	370
2	45-212TKNEF	45-212TKNES	450	365	115	475	390	455	370
3	45-312TKNEF	45-312TKNES	600	365	115	625	390	605	370
4	45-412TKNEF	45-412TKNES	750	365	115	775	390	755	370
5	45-512TKNEF	45-512TKNES	900	365	115	925	390	905	370
6	45-612TKNEF	45-612TKNES	1050	365	115	1075	390	1055	370

Product Range

Modular Enclosure 16 Modules



MODULAR ENCLOSURE 16 MODULES WITH SLIDE LOCK									
No Of Rows	Ref Code		Box Dimensions			Cover Flush		Cover Surface	
	Flush	Surface	A	B	C	D	E	F	G
1	45-116MS00F	45-116MS00S	300	440	115	325	465	305	445
2	45-216MS00F	45-216MS00S	450	440	115	475	465	455	445
3	45-316MS00F	45-316MS00S	600	440	115	625	465	605	445
4	45-416MS00F	45-416MS00S	750	440	115	775	465	755	445
5	45-516MS00F	45-516MS00S	900	440	115	925	465	905	445
6	45-616MS00F	45-616MS00S	1050	440	115	1075	465	1055	445

Product Range **Modular Enclosure 16 Modules**

MODULAR ENCLOSURE 16 MODULES WITH KEY LOCK

No Of Rows	Ref Code		Box Dimensions			Cover Flush		Cover Surface	
	Flush	Surface	A	B	C	D	E	F	G
1	45-116MK00F	45-116MK00S	300	440	115	325	465	305	445
2	45-216MK00F	45-216MK00S	450	440	115	475	465	455	445
3	45-316MK00F	45-316MK00S	600	440	115	625	465	605	445
4	45-416MK00F	45-416MK00S	750	440	115	775	465	755	445
5	45-516MK00F	45-516MK00S	900	440	115	925	465	905	445
6	45-616MK00F	45-616MK00S	1050	440	115	1075	465	1055	445

MODULAR ENCLOSURE 16 MODULES WITH SLIDE LOCK, EARTH & NEUTRAL

No Of Rows	Ref Code		Box Dimensions			Cover Flush		Cover Surface	
	Flush	Surface	A	B	C	D	E	F	G
1	45-116MSNEF	45-116MSNES	300	440	115	325	465	305	445
2	45-216MSNEF	45-216MSNES	450	440	115	475	465	455	445
3	45-316MSNEF	45-316MSNES	600	440	115	625	465	605	445
4	45-416MSNEF	45-416MSNES	750	440	115	775	465	755	445
5	45-516MSNEF	45-516MSNES	900	440	115	925	465	905	445
6	45-616MSNEF	45-616MSNES	1050	440	115	1075	465	1055	445

MODULAR ENCLOSURE 16 MODULES WITH TRANSPARENT DOOR, KEYLOCK, EARTH & NEUTRAL

No Of Rows	Ref Code		Box Dimensions			Cover Flush		Cover Surface	
	Flush	Surface	A	B	C	D	E	F	G
1	45-116TKNEF	45-116TKNES	300	440	115	325	465	305	445
2	45-216TKNEF	45-216TKNES	450	440	115	475	465	455	445
3	45-316TKNEF	45-316TKNES	600	440	115	625	465	605	445
4	45-416TKNEF	45-416TKNES	750	440	115	775	465	755	445
5	45-516TKNEF	45-516TKNES	900	440	115	925	465	905	445
6	45-616TKNEF	45-616TKNES	1050	440	115	1075	465	1055	445

Product Range

Modular Enclosure 24 Modules



MODULAR ENCLOSURE 24 MODULES WITH SLIDE LOCK

No Of Rows	Ref Code		Box Dimensions			Cover Flush		Cover Surface	
	Flush	Surface	A	B	C	D	E	F	G
4	45-424MS00F	45-424MS00S	750	584	115	775	609	755	589
5	45-524MS00F	45-524MS00S	900	584	115	925	609	905	589
6	45-624MS00F	45-624MS00S	1050	584	115	1075	609	1055	589

Product Range Modular Enclosure 24 Modules

MODULAR ENCLOSURE 24 MODULES WITH KEY LOCK

No Of Rows	Ref Code		Box Dimensions			Cover Flush		Cover Surface	
	Flush	Surface	A	B	C	D	E	F	G
4	45-424MK00F	45-424MK00S	750	584	115	775	609	755	589
5	45-524MK00F	45-524MK00S	900	584	115	925	609	905	589
6	45-624MK00F	45-624MK00S	1050	584	115	1075	609	1055	589

MODULAR ENCLOSURE 24 MODULES WITH SLIDE LOCK, EARTH & NEUTRAL

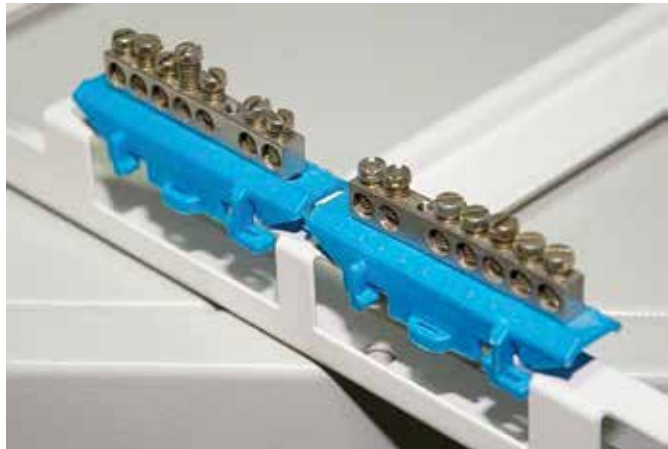
No Of Rows	Ref Code		Box Dimensions			Cover Flush		Cover Surface	
	Flush	Surface	A	B	C	D	E	F	G
4	45-424MSNEF	45-424MSNES	750	584	115	775	609	755	589
5	45-524MSNEF	45-524MSNES	900	584	115	925	609	905	589
6	45-624MSNEF	45-624MSNES	1050	584	115	1075	609	1055	589

Technical Data

OPTIONS

- Door with transparent window
- Door with cam type key-lock
- Customized enclosure depth
- Enclosures in other colors
- Extruded earth terminals
- Snap fit style neutral terminals

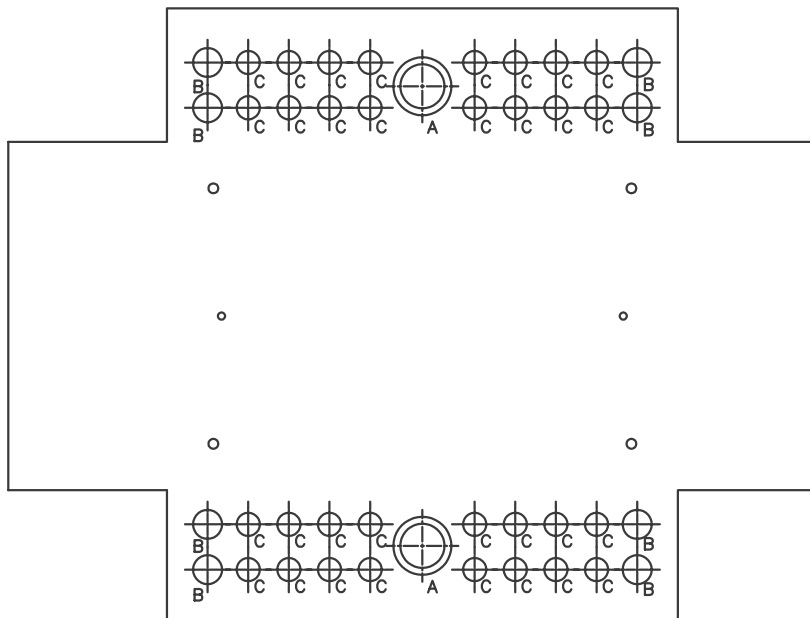
Above options are available upon request.



GLAND BOX:

Item code	Dimension
45-GB16ME	16 Module 440(w)X200(h)X115(d)
45-GB24ME	24 Module 584(w)X200(h)X115(d)

(Knockout layout)



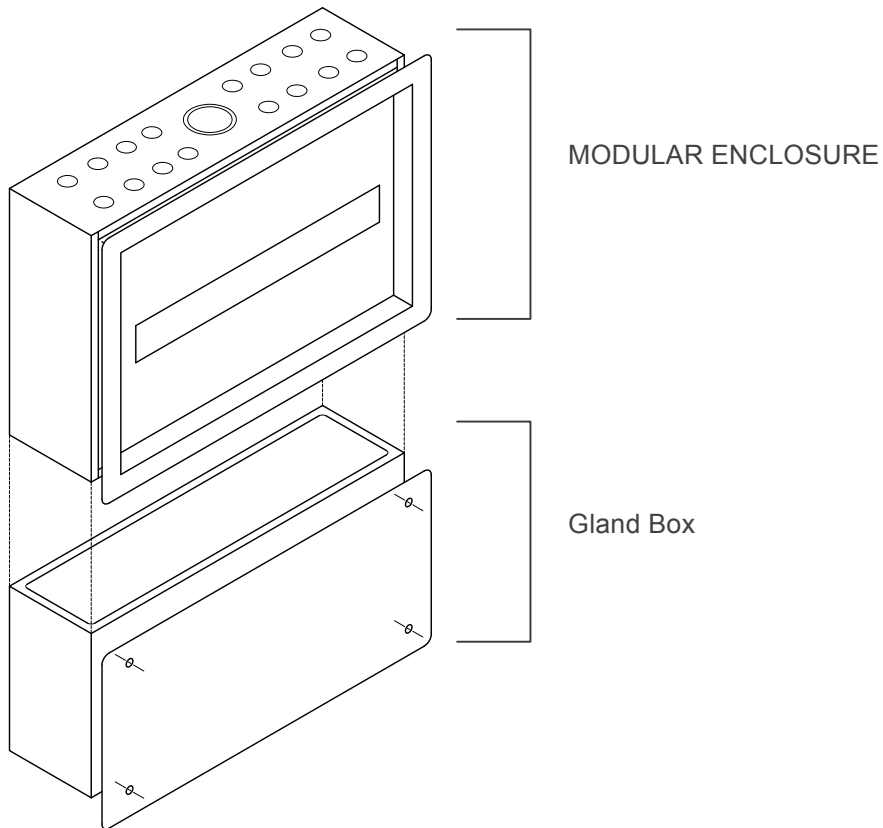
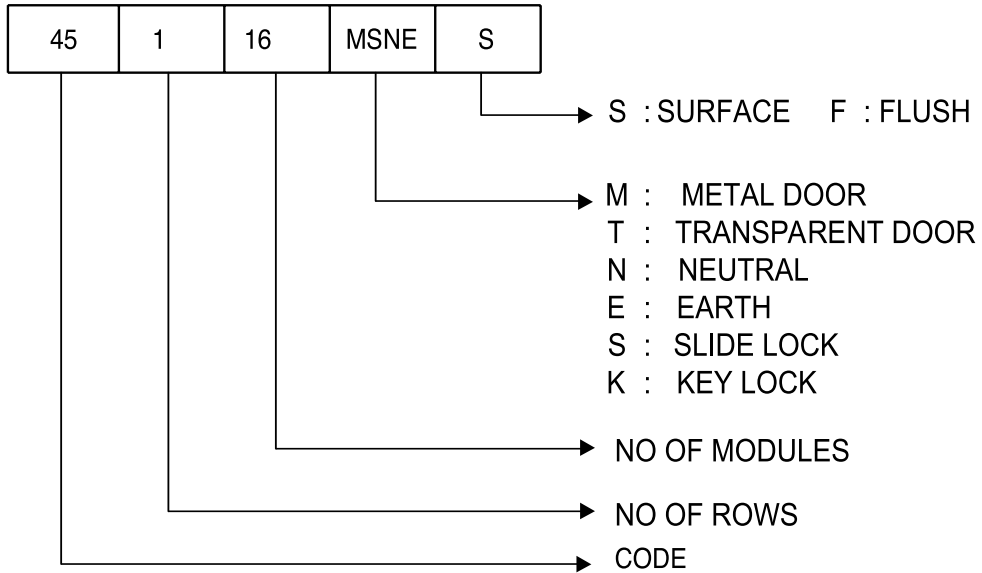
KNOCKOUT DETAILS:
 A - $\varnothing 38/\varnothing 50$ DOUBLE KNOCKOUT - 2NO.
 B - $\varnothing 25$ KNOCKOUT - 8NOS.
 C - $\varnothing 20$ KNOCKOUT - 32NOS.

* Typical knockout details of 16 module (Details for other varieties will be provided upon request)

Coding

CODING KEY

CODE DETAIL FOR MODULAR ENCLOSURE



Certifications



CERTIFICATE OF APPROVAL

This is to certify that the Management System of:

Alfanar Electrical Systems LLC
Plot number 598-1037, Dubai Investment Park-1
Dubai
United Arab Emirates

has been approved by Lloyd's Register Quality Assurance to the following Quality, Environmental and Safety Management System Standards:

ISO 9001:2008
ISO 14001:2004
OHSAS 18001:2007

The scope of this approval is applicable to:

**Design and Manufacturing of Metal Enclosures and
LV Switchgear.**
Provision and Management of Labour Accommodation.

alfanar PRODUCTS ARE APPROVED BY:

- SEC - Saudi Electric Company
- SAUDI ARAMCO - Saudi Arabian Oil Company
- SABIC - Saudi Basic Industries Corporation
- SASO - Saudi Arabian Standards Organization
- Several Ministries, Universities and Governmental Organizations In Saudi Arabia
- Abu Dhabi Water and Electricity Authority (ADWEA) - UAE
- Abu Dhabi Distribution Co. (ADDC) - UAE
- Al Ain Distribution Co. (AADC) - UAE
- Sharjah Electricity & Water Authority (SEWA) - UAE
- Ministry of Public Works (MOPW) - UAE
- Ministry of Electricity, Bahrain
- State Electricity Board Of Qatar
- Public Electricity Corporation, Ministry Of Electricity, Yemen
- Dubai Water & Electricity Authority (DEWA) - UAE
- Federal Electricity & Water Authority (FEWA) - UAE

OUR OBJECTIVE:

We reach exacting standards in the safety and distribution of power and go well beyond a customer's expectations. This is done by focusing our technology and expertise on the ultimate reward we can get. Complete satisfaction of our customers.

alfanar PRODUCTS

- Wiring Accessories
- Wires and Cables
- Switches and Socket Boxes
- Junction Boxes
- Metal Enclosures IP65
- Stainless Steel Enclosures NEMA-4X
- Telephone Enclosures
- Circuit Breaker Enclosures – NEMA 1 & NEMA 3R
- Busbar chambers
- Modular Enclosures
- Raysan Load Centers
- NEMA Type LA Load Centers
- IEC Type LD Load Centers
- Split Busbar Unit Type LAS/LDS Load Centers
- MCCB Distribution Boards
- Pump Control Panels
- Motor Control Centers
- LV Switchboards up to 6300A, Tested for 100KA, 1 Sec Short Circuit Withstand
- AC/DC Panels up to 5000A, Tested for 85kA, 1 Sec Short Circuit Withstand
- Pole Mounted Metering Structures
- Package Substations
- Oil-Immersed Distribution Transformers
- Extendable and Non-Extendable Ring Main Units
- Control and Automation Panels
- Relay and Control Panels
- Medium Voltage Switchgears



QHSE POLICY

alfanar Electrical Systems L.L.C., recognizes its corporate and social responsibility and commits to provide high Quality Products & Service , Safe and Healthy Environment to all the employees and interested parties.

Our policy governs the following commitments:

- Achieve customer satisfaction by providing products conforming to governing standards and consistent quality.
- Comply with Health, Safety and Environment (HSE) Legislation as well as statutory, regulatory and other requirements.
- Identify and assess all HSE hazards or aspects involved in our operations and products and define effective control measures to mitigate HSE Risks.
- Redefine and execute new processes/systems to meet market/business requirement.
- Prevent occurrence of injury, ill-health and environmental pollution.
- Control and optimize wastage and conserve resources.
- Develop and maintain a motivated team of competent employees and vendors and create awareness and sense of responsibility towards QHSE among them.
- Communicate QHSE requirements effectively throughout the organization and interested parties.
- Continually improve QHSE management systems performance by structured audits, management reviews, monitoring & measurements.

Guiding principle to achieve these objectives are based on ISO:9001:2008, ISO:14001:2004, OHSAS 18001:2007, Legal and other requirements.

Management extends its full support to this program and ensures that all the employees are guided by the systems and procedures laid down in the QHSE Manual.

Free Maintenance Service at Home for alfanar Products

Switches, Sockets, Distribution Boards, & Circuit Breakers



Our customer satisfaction rate was 94.4%
on services delivered by our Technical Support team.

Customer Service
800-124-1333

Scan the QR code
to learn more about our
free maintenance service



Notes

A series of horizontal dotted lines for writing notes, spanning the width of the page.



Scan the QR to download the catalogue

157289_Jan.2023