

alfanar JUNCTION BOXES



PARTNERSHIP

SAFETY

DURABILITY

CONTENT

1. INTRODUCTION	4
2. PRODUCT BREAKDOWN	6
3. KEY FEATURES	8
3.1 DESIGN	8
3.2 SAFETY	8
3.2.1 PROTECTION AGAINST ELECTRIC SHOCK	8
3.2.2 NO SHARP EDGES	8
3.3 RELIABILITY	9
3.3.1 HIGH CORROSION RESISTANT MATERIAL	9
3.3.2 MECHANICAL STRENGTH	9
3.4 INSTALLATION:	9
3.4.1 COMPATIBILITY WITH VARIOUS CONDUIT SIZES	9
3.4.2 SPACIOUS INTERNAL AREA	10
3.4.3 QUICK INSTALLATION & REMOVAL OF COVERS	10
3.5 TESTING	10
4. PRODUCT PORTFOLIO	11
5. TECHNICAL SPECIFICATIONS	12
6. AVAILABLE VARIETIES & ORDERING DETAILS	13
7. NOTES	18

INTRODUCTION

A junction box is an integral part of every electrical installation system. This metal enclosure, with partially cutout sections called conduit knockouts, is used to protect the connection of the different types of wires and cables carrying electrical current.

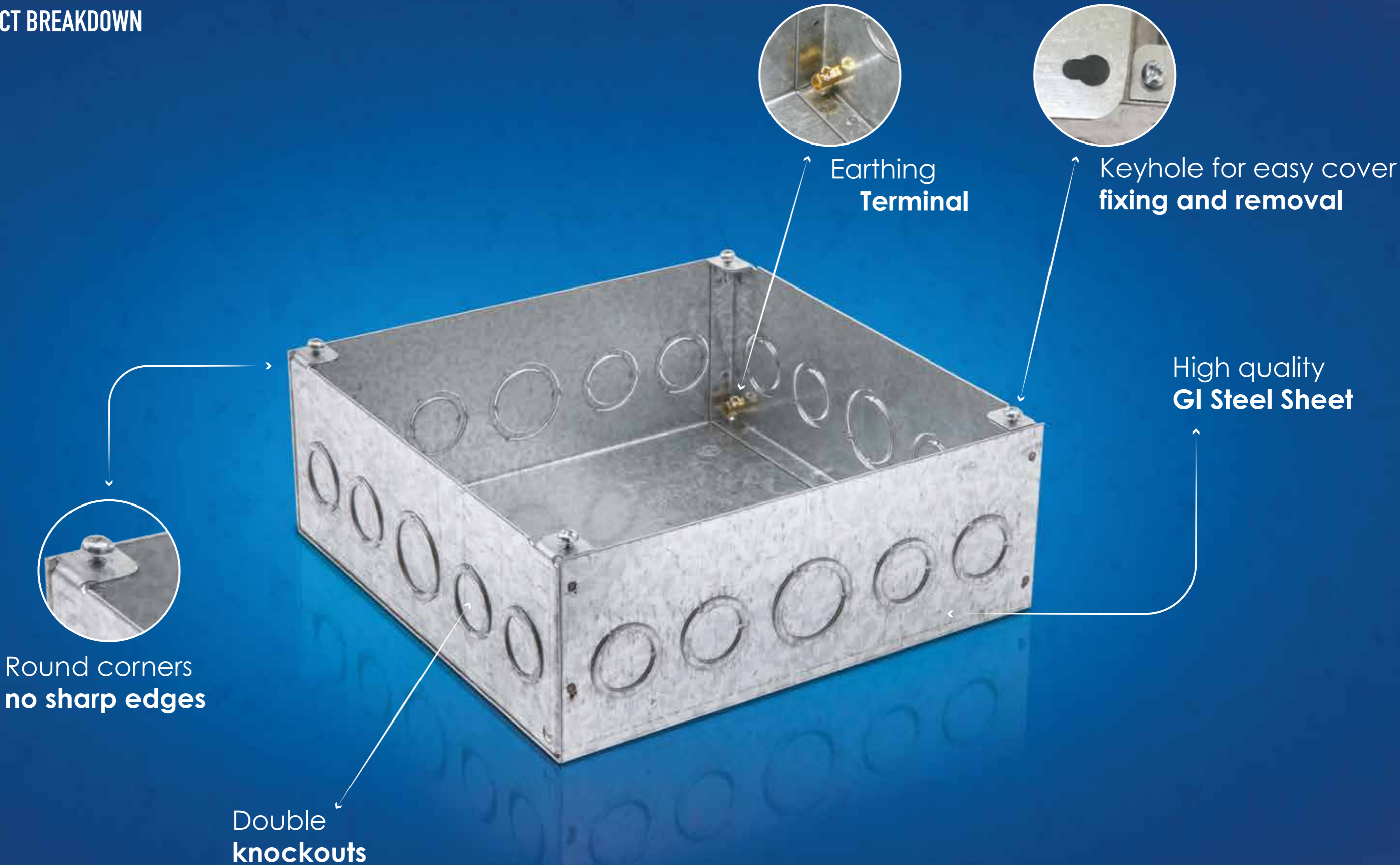
The knockouts, which are usually circular in shape, create an opening to accommodate industry standard conduit sizes used in residential, commercial or industrial electrical system wiring applications.

alfanar Junction Boxes are made of the highest quality materials to provide the strength and durability required throughout their service life. The versatility, durability, and high-performance of alfanar Junction Boxes provide the protection required for electrical installations. Because of their ability to be either surface or flush mounted, alfanar Junction Boxes are widely used in electrical installations in residential, commercial and industrial buildings.

The junction boxes can also be used as a junction/distribution box to connect a number of conduits to contain all the required connections and terminations of the various types of electrical building wire and cables found in these installations.



PRODUCT BREAKDOWN



KEY FEATURES

1. Design

alfanar Junction Boxes and covers are manufactured from hot dipped galvanized steel sheet taking into consideration all the potential applications, industry standard conduit sizes and types, and accessories in the market to ensure flexibility of use and match a variety of installation requirements.



2. SAFETY

a. PROTECTION AGAINST ELECTRIC SHOCK

alfanar Junction Boxes can be equipped with either a brass or steel earth terminal to provide effective earth continuity by grounding the junction box to prevent accidental electrocution. The ingress protection rating, IP40, provides protection of equipment against dust and accidental contact .



b. NO SHARP EDGES

alfanar Junction Boxes are designed with round corners and no sharp edges to prevent injury to the user and damage to wires and conduit during installation or maintenance.



3. RELIABILITY

a. HIGH CORROSION RESISTANT MATERIAL

alfanar Junction Boxes are manufactured from hot dipped galvanized steel sheet (GI) that protects the steel surface from corrosion and scratching, thereby ensuring overall protection.

This feature, which has been validated by 6 cycles of 24 hours each to damp heat cycling test according to IEC 60068-2-30 and 2 cycles of 24 hours each to salt mist test according to IEC 60068-2-11, ensures alfanar Junction Boxes are resistant to the harsh atmospheric corrosive conditions.



b. MECHANICAL STRENGTH

alfanar Junction Boxes are designed and manufactured from steel sheet with a thickness of 0.9 mm up to 1.1mm to provide excellent durability and mechanical properties during installation and throughout the service life of the box.

Cover fixing screws are of the highest quality and a combination of "slot / Phillip Pan head" to allow the use of different screwdrivers. The lugs are threaded, making them reliable and resistant to damage even with frequent use.



4. INSTALLATION

a. COMPATIBILITY WITH VARIOUS CONDUIT SIZES

alfanar Junction Boxes are designed to facilitate a variety of electrical wiring installations.

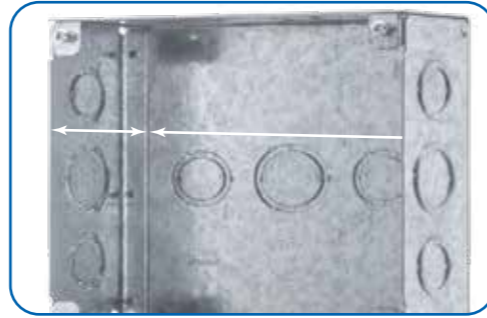
Featuring an ample number of precut, double-size conduit knockouts on all sides to accommodate various industry standard conduit sizes and international standard glands, these knockouts can be easily removed even after the junction box is fixed on a wall. alfanar Junction Boxes are come with circular, rectangular, and double knockouts.



b. SPACIOUS INTERNAL AREA

alfanar Junction Boxes are available in a variety of depths and sizes that provide a larger internal working space for comfortable wire installation and making connections and avoiding having to cram the wires inside the junction box.

Ease of accessibility for installation as well as for maintenance ensures the safety of the user.



c. QUICK ASSEMBLY & REMOVAL OF COVERS

The cover of alfanar Junction Boxes features a convenient time-saving design, allowing for fast and accurate installation. The practical design has a keyhole feature for easy removal and fixing of the cover without having to completely remove the screws during routine inspection and maintenance work.

By only partially loosening the screws, it prevents the user from dropping and losing the screws when working on the junction box. The covers also have rounded corners and smooth edges to prevent injury to a user.



5. TESTING

Extensive care is taken during the design and manufacturing stages of the alfanar Junction Boxes to ensure they are of the highest quality.

The junction boxes undergo strict quality control checks and routine verification tests to ensure they comply with the mentioned standards.

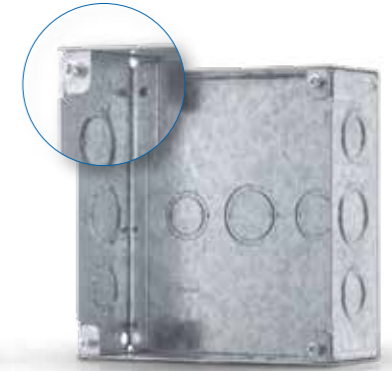
PRODUCT PORTFOLIO



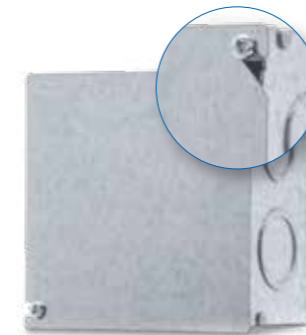
Rounded Corner Cover



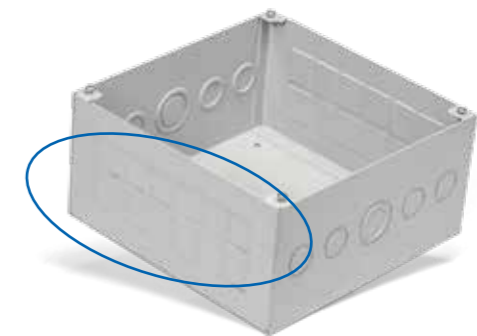
Double Knockouts



Rounded Lugs



Special slot for easy removal of cover



Painted With Rectangular Knockouts

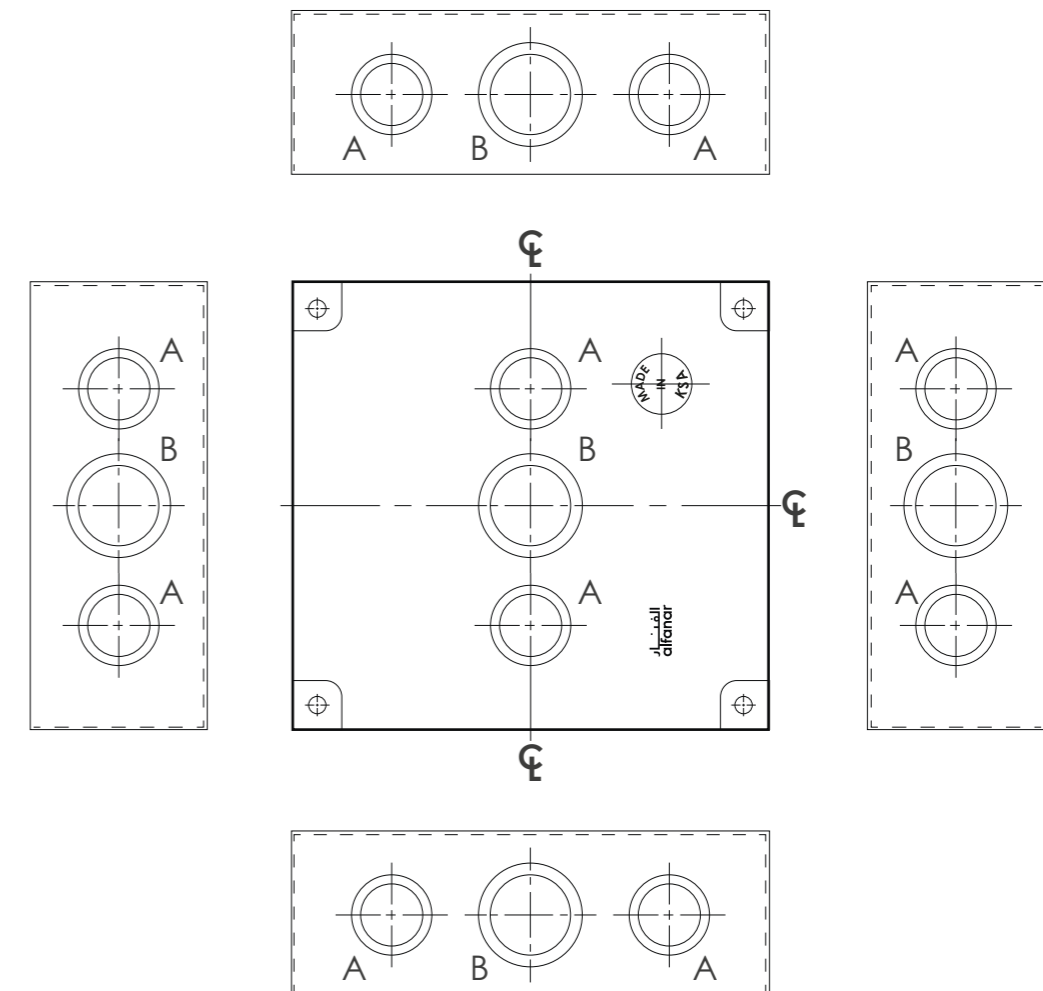
TECHNICAL SPECIFICATIONS

Technical Data	
Electrical	
Voltage range	120-440V AC
Frequency	50/60 Hz
Degree of protection	IP40 (NEMA 1)
Construction Features	
Material	Hot-Dipped Galvanized Steel Sheet (Corrosion Resistant)
Steel thickness	0.9mm / 1.1mm
Knockout sizes	- Double Knockout $\phi 20.5/26.5$ - Double Knockout $\phi 26.5/32.5$ 26x26mm rectangular knockouts for accommodating cutouts of various sizes as per requirement
Options / Varieties	<ul style="list-style-type: none"> • With steel earth terminals • With brass earth terminals • Rectangular knockouts • Painted • Special slot for easy removal of cover

AVAILABLE VARIETIES & ORDERING DETAILS

A-DOUBLE KNOCKOUT $\phi 20.5/\phi 26.5$

B-DOUBLE KNOCKOUT $\phi 26.5/\phi 32.5$



Notes:

- All dimensions are in mm.
- The details in this drawing indicate knockout positions for one type of Junction Box.

JUNCTION BOXES (55mm Depth)

Sl. No.	Description	Item code	Thickness	Depth	Accessory	Knockout 20.5/26.5	Knockout 26.5/32.5
1	J.BOX 100X100X55 0.9mm	31-011010	0.9	55	WOE	8	4
2	J.BOX 150X150X55 0.9mm	31-011515	0.9	55	WOE	10	5
3	J.BOX 200X200X55 0.9mm	31-012020	0.9	55	WOE	16	4
4	J.BOX 250X250X55 0.9mm	31-012525	0.9	55	WOE	12	8
5	J.BOX 300X300X55 0.9mm	31-013030	0.9	55	WOE	20	8
6	J.BOX 350X350X55 0.9mm	31-013535	0.9	55	WOE	24	12
7	J.BOX 450X450X55 0.9mm	31-014545	0.9	55	WOE	32	12
8	J.BOX 100X100X55 0.9mm WITH BRASS EARTH	31-011010BE	0.9	55	BE	8	4
9	J.BOX 150X150X55 0.9mm WITH BRASS EARTH	31-011515BE	0.9	55	BE	10	5
10	J.BOX 200X200X55 0.9mm WITH BRASS EARTH	31-012020BE	0.9	55	BE	16	4
11	J.BOX 250X250X55 0.9mm WITH BRASS EARTH	31-012525BE	0.9	55	BE	12	8
12	J.BOX 300X300X55 0.9mm WITH BRASS EARTH	31-013030BE	0.9	55	BE	20	8
13	J.BOX 350X350X55 0.9mm WITH BRASS EARTH	31-013535BE	0.9	55	BE	24	12
14	J.BOX 450X450X55 0.9mm WITH BRASS EARTH	31-014545BE	0.9	55	BE	32	12
15	J.BOX 100X100X55 1.1mm	31-061010	1.1	55	WOE	8	4
16	J.BOX 150X150X55 1.1mm	31-061515	1.1	55	WOE	10	5
17	J.BOX 200X200X55 1.1mm	31-062020	1.1	55	WOE	16	4
18	J.BOX 250X250X55 1.1mm	31-062525	1.1	55	WOE	12	8
19	J.BOX 300X300X55 1.1mm	31-063030	1.1	55	WOE	20	8
20	J.BOX 350X350X55 1.1mm	31-063535	1.1	55	WOE	24	12
21	J.BOX 450X450X55 1.1mm	31-064545	1.1	55	WOE	32	12
22	J.BOX 100X100X55 1.1mm WITH BRASS EARTH	31-061010BE	1.1	55	BE	8	4
23	J.BOX 150X150X55 1.1mm WITH BRASS EARTH	31-061515BE	1.1	55	BE	10	5
24	J.BOX 200X200X55 1.1mm WITH BRASS EARTH	31-062020BE	1.1	55	BE	16	4
25	J.BOX 250X250X55 1.1mm WITH BRASS EARTH	31-062525BE	1.1	55	BE	12	8
26	J.BOX 300X300X55 1.1mm WITH BRASS EARTH	31-063030BE	1.1	55	BE	20	8
27	J.BOX 350X350X55 1.1mm WITH BRASS EARTH	31-063535BE	1.1	55	BE	24	12
28	J.BOX 450X450X55 1.1mm WITH BRASS EARTH	31-064545BE	1.1	55	BE	32	12
29	J.BOX 100X100X55 mm WITH STEEL EARTH	31-011010SE	1.1	55	SE	8	4
30	J.BOX 150X150X55 mm WITH STEEL EARTH	31-011515SE	1.1	55	SE	10	5

Legend: • WOE: Without Earth
• BE: Brass Earth
• SE: Steel Earth

JUNCTION BOXES (75mm Depth)

Sl. No.	Description	Item code	Thickness	Depth	Accessory	Knockout 20.5/26.5	Knockout 26.5/32.5
1	J.BOX 100X100X75 0.9mm	31-021010	0.9	75	WOE	8	4
2	J.BOX 150X150X75 0.9mm	31-021515	0.9	75	WOE	10	5
3	J.BOX 200X200X75 0.9mm	31-022020	0.9	75	WOE	16	4
4	J.BOX 250X250X75 0.9mm	31-022525	0.9	75	WOE	12	8
5	J.BOX 300X300X75 0.9mm	31-023030	0.9	75	WOE	20	8
6	J.BOX 350X350X75 0.9mm	31-023535	0.9	75	WOE	24	12
7	J.BOX 450X450X75 0.9mm	31-024545	0.9	75	WOE	32	12
8	J.BOX 100X100X75 0.9mm WITH BRASS EARTH	31-021010BE	0.9	75	BE	8	4
9	J.BOX 150X150X75 0.9mm WITH BRASS EARTH	31-021515BE	0.9	75	BE	10	5
10	J.BOX 200X200X75 0.9mm WITH BRASS EARTH	31-022020BE	0.9	75	BE	16	4
11	J.BOX 250X250X75 0.9mm WITH BRASS EARTH	31-022525BE	0.9	75	BE	12	8
12	J.BOX 300X300X75 0.9mm WITH BRASS EARTH	31-023030BE	0.9	75	BE	20	8
13	J.BOX 350X350X75 0.9mm WITH BRASS EARTH	31-023535BE	0.9	75	BE	24	12
14	J.BOX 450X450X75 0.9mm WITH BRASS EARTH	31-024545BE	0.9	75	BE	32	12
15	J.BOX 100X100X75 1.1mm	31-071010	1.1	75	WOE	8	4
16	J.BOX 150X150X75 1.1mm	31-071515	1.1	75	WOE	10	5
17	J.BOX 200X200X75 1.1mm	31-072020	1.1	75	WOE	16	4
18	J.BOX 250X250X75 1.1mm	31-072525	1.1	75	WOE	12	8
19	J.BOX 300X300X75 1.1mm	31-073030	1.1	75	WOE	20	8
20	J.BOX 350X350X75 1.1mm	31-073535	1.1	75	WOE	24	12
21	J.BOX 450X450X75 1.1mm	31-074545	1.1	75	WOE	32	12
22	J.BOX 100X100X75 1.1mm WITH BRASS EARTH	31-071010BE	1.1	75	BE	8	4
23	J.BOX 150X150X75 1.1mm WITH BRASS EARTH	31-071515BE	1.1	75	BE	10	5
24	J.BOX 200X200X75 1.1mm WITH BRASS EARTH	31-072020BE	1.1	75	BE	16	4
25	J.BOX 250X250X75 1.1mm WITH BRASS EARTH	31-072525BE	1.1	75	BE	12	8
26	J.BOX 300X300X75 1.1mm WITH BRASS EARTH	31-073030BE	1.1	75	BE	20	8
27	J.BOX 350X350X75 1.1mm WITH BRASS EARTH	31-073535BE	1.1	75	BE	24	12
28	J.BOX 450X450X75 1.1mm WITH BRASS EARTH	31-074545BE	1.1	75	BE	32	12

Legend: • WOE: Without Earth
• BE: Brass Earth
• SE: Steel Earth

JUNCTION BOXES (100mm Depth)

Sl. No.	Description	Item code	Thickness	Depth	Accessory	Knockout 20.5/26.5	Knockout 26.5/32.5
1	J.BOX 100X100X100 0.9mm	31-031010	0.9	100	WOE	8	4
2	J.BOX 150X150X100 0.9mm	31-031515	0.9	100	WOE	10	5
3	J.BOX 200X200X100 0.9mm	31-032020	0.9	100	WOE	16	4
4	J.BOX 250X250X100 0.9mm	31-032525	0.9	100	WOE	12	8
5	J.BOX 300X300X100 0.9mm	31-033030	0.9	100	WOE	20	8
6	J.BOX 350X350X100 0.9mm	31-033535	0.9	100	WOE	24	12
7	J.BOX 450X450X100 0.9mm	31-034545	0.9	100	WOE	32	12
8	J.BOX 300X200X100 0.9mm	31-032010	0.9	100	WOE	14	5
9	J.BOX 100X100X100 0.9mm BRASS EARTH	31-031010BE	0.9	100	BE	8	4
10	J.BOX 150X150X100 0.9mm BRASS EARTH	31-031515BE	0.9	100	BE	10	5
11	J.BOX 200X200X100 0.9mm BRASS EARTH	31-032020BE	0.9	100	BE	16	4
12	J.BOX 250X250X100 0.9mm BRASS EARTH	31-032525BE	0.9	100	BE	12	8
13	J.BOX 300X300X100 0.9mm BRASS EARTH	31-033030BE	0.9	100	BE	20	8
14	J.BOX 350X350X100 0.9mm BRASS EARTH	31-033535BE	0.9	100	BE	24	12
15	J.BOX 450X450X100 0.9mm BRASS EARTH	31-034545BE	0.9	100	BE	32	12
16	J.BOX 300X200X100 0.9mm BRASS EARTH	31-032010BE	0.9	100	BE	14	5
17	J.BOX 100X100X100 1.1mm	31-081010	1.1	100	WOE	8	4
18	J.BOX 150X150X100 1.1mm	31-081515	1.1	100	WOE	10	5
19	J.BOX 200X200X100 1.1mm	31-082020	1.1	100	WOE	16	4
20	J.BOX 250X250X100 1.1mm	31-082525	1.1	100	WOE	12	8
21	J.BOX 300X300X100 1.1mm	31-083030	1.1	100	WOE	20	8
22	J.BOX 350X350X100 1.1mm	31-083535	1.1	100	WOE	24	12
23	J.BOX 450X450X100 1.1mm	31-084545	1.1	100	WOE	32	12
24	J.BOX 300X200X100 1.1mm	31-082010	1.1	100	WOE	14	5
25	J.BOX 100X100X100 1.1mm BRASS EARTH	31-081010BE	1.1	100	BE	8	4
26	J.BOX 150X150X100 1.1mm BRASS EARTH	31-081515BE	1.1	100	BE	10	5
27	J.BOX 200X200X100 1.1mm BRASS EARTH	31-082020BE	1.1	100	BE	16	4
28	J.BOX 250X250X100 1.1mm BRASS EARTH	31-082525BE	1.1	100	BE	12	8
29	J.BOX 300X300X100 1.1mm BRASS EARTH	31-083030BE	1.1	100	BE	20	8
30	J.BOX 350X350X100 1.1mm BRASS EARTH	31-083535BE	1.1	100	BE	24	12
31	J.BOX 450X450X100 1.1mm BRASS EARTH	31-084545BE	1.1	100	BE	32	12
32	J.BOX 300X200X100 1.1mm BRASS EARTH	31-082010BE	1.1	100	BE	14	5

Legend: • WOE: Without Earth
• BE: Brass Earth
• SE: Steel Earth

JUNCTION BOXES

(100mm Depth with Rectangular Knockouts)

Sl. No.	Description	Item code	Thickness	Depth	Accessory	Knockout 20.5/26.5	Knockout 26.5/32.5	REC Knockout 26/26
1	J.BOX 100X100X100 0.9mm REC K/O	31-031010R	0.9	100	WOE	6	2	8
2	J.BOX 150X150X100 0.9mm REC K/O	31-031515R	0.9	100	WOE	6	3	16
3	J.BOX 200X200X100 0.9mm REC K/O	31-032020R	0.9	100	WOE	8	2	24
4	J.BOX 250X250X100 0.9mm REC K/O	31-032525R	0.9	100	WOE	6	4	32
5	J.BOX 300X300X100 0.9mm REC K/O	31-033030R	0.9	100	WOE	10	4	40
6	J.BOX 350X350X100 0.9mm REC K/O	31-033535R	0.9	100	WOE	12	6	48
7	J.BOX 450X450X100 0.9mm REC K/O	31-034545R	0.9	100	WOE	16	6	64

Legend: • WOE: Without Earth
• BE: Brass Earth
• SE: Steel Earth
• REC K/O: Rectangular Knockouts

JUNCTION BOXES

(100mm Depth with Rectangular Knockouts painted RAL7035)

Sl. No.	Description	Item code	Thickness	Depth	Accessory	Knockout 20.5/26.5	Knockout 26.5/32.5	REC Knockout 26/26
1	J.BOX 100X100X100 0.9mm REC K/O	31-031010RP	0.9	100	WOE	6	2	8
2	J.BOX 150X150X100 0.9mm REC K/O	31-031515RP	0.9	100	WOE	6	3	16
3	J.BOX 200X200X100 0.9mm REC K/O	31-032020RP	0.9	100	WOE	8	2	24
4	J.BOX 250X250X100 0.9mm REC K/O	31-032525RP	0.9	100	WOE	6	4	32
5	J.BOX 300X300X100 0.9mm REC K/O	31-033030RP	0.9	100	WOE	10	4	40
6	J.BOX 350X350X100 0.9mm REC K/O	31-033535RP	0.9	100	WOE	12	6	48
7	J.BOX 450X450X100 0.9mm REC K/O	31-034545RP	0.9	100	WOE	16	6	64

Legend: • WOE: Without Earth
• BE: Brass Earth
• SE: Steel Earth
• REC K/O: Rectangular Knockouts

Free Maintenance Service at Home for alfanar Products

Switches, Sockets, Distribution Boards, & Circuit Breakers



Our customer satisfaction rate was 94.4%
on services delivered by our Technical Support team.

Notes

A series of horizontal dotted lines for taking notes.

Customer Service
800-124-1333

Scan the QR code
to learn more about our
free maintenance service





Scan the QR to download the catalogue



157296_Jan.2023

