

Granada



SWITCHES & SOCKETS



BRITISH STANDARD

TECHNICAL

C A T A L O G U E

New Colors

Approach
With 3 Luxury Colors



Design

Simple & Elegant

Pearl with Chrome Ring



Modern Lifestyle

Gray with Chrome Ring



Granada

Switches & Sockets SASO & British Standard

Ordering Tip

To construct an order code, add the color code to the product code.

Example :

GB101 is the product code for a **10A 1W switch 1 Gang**

7X7 and **232** is the color code for the Grey color.

The order code will be: **GB101-232**

White Colors



White with
Chrome Ring

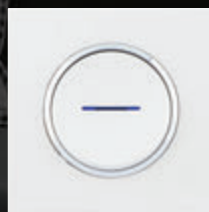
New Colors



239 Black with
Chrome Ring



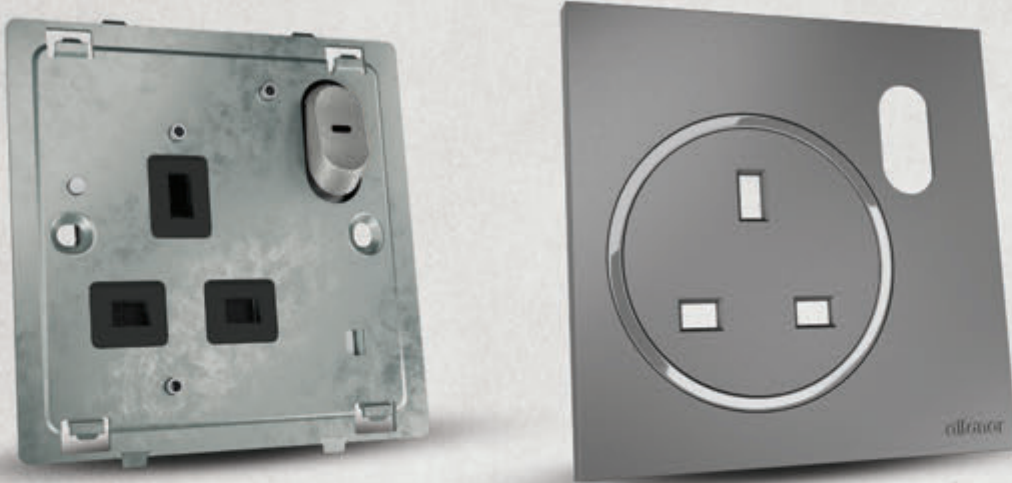
232 Grey with
Chrome Ring



234 Pearl with
Chrome Ring

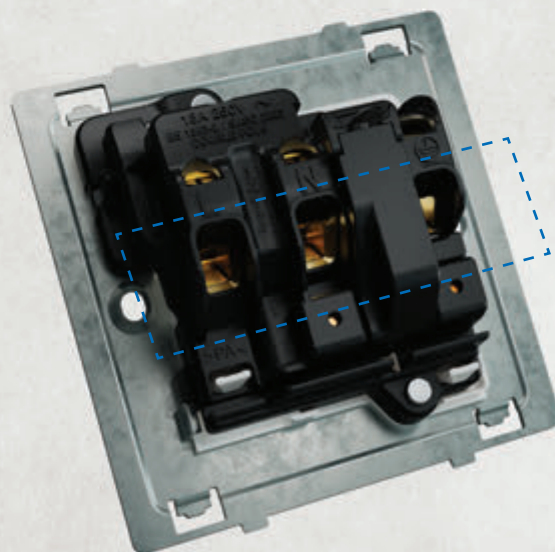
Superior Quality

We ensure the superior quality of our products by using engineered robust thermoplastic that is durable, flexible, and has the resilience to withstand hard impacts, is flame retardant and built to last.



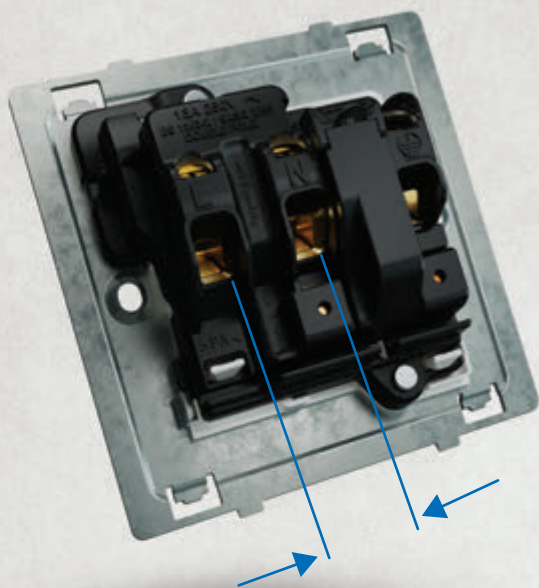
Inline Terminals

Inline terminals provide easy wiring and installation.



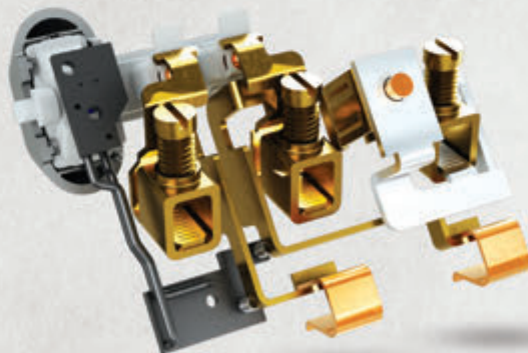
L & N Terminal Distance – 9mm

More spacing between the L&N terminal provides extra reliability and easier wire installation.



Make/Break

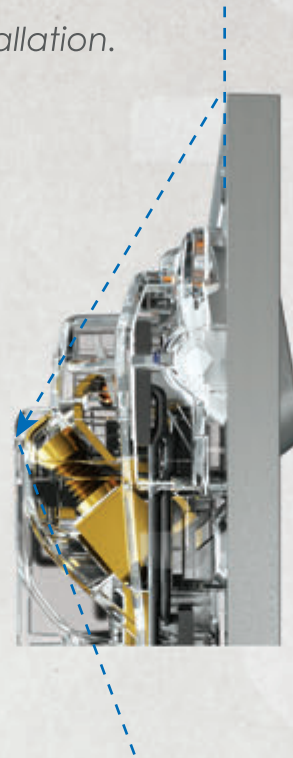
Silver alloy rivet contacts are used in make / break areas which extends contact life.



Angled Terminals

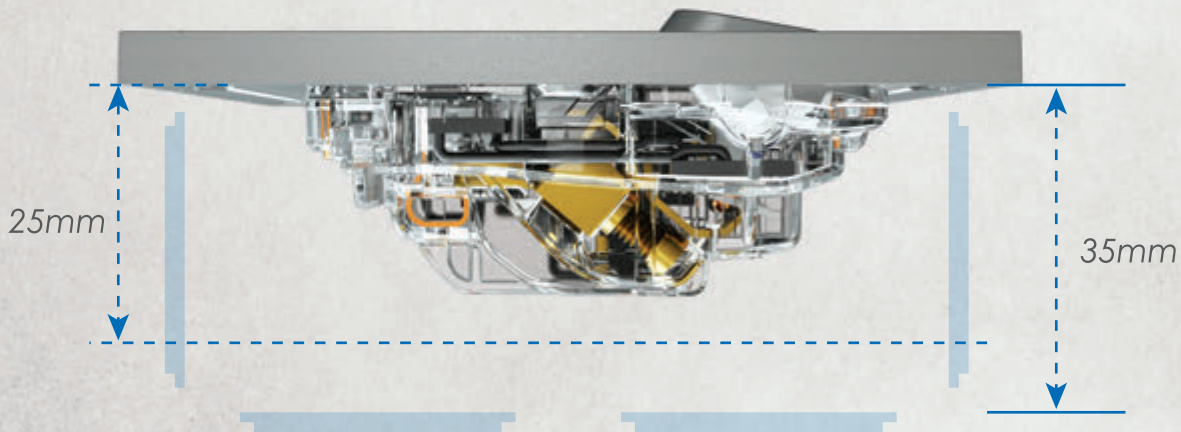
Top mounted terminal screws to simplify wiring for easy installation.

Terminal
Angle 40°



Wiring Space

Compact design, allows the product with >5mm ID height to fit in 25mm box



Funnel Shape for Easy Cable Insertion

Funnel shape of socket housing allows for easy cable insertion.



Lighting & Bell Switches

10A (BSEN 60669-1)



GB101 / GB102



GB2401 / GB2402



GB201 / GB202



GN181



GB301 / GB302



GB103-PR00

Lighting, Water Heater & Air Conditioner Switches

20A (BSEN 60669-1)

45A (BSEN 60669-1)



GB104



GN17



GB117 / GB118



GN18

GB101
10AX Switch 1Gang 1Way,
7X7

GB102
10AX Switch 1Gang
2Way, 7X7

GB201
10AX Switch 2Gang
1Way, 7X7

GB202
10AX Switch 2Gang
2Way, 7X7

GB301
10AX Switch 3Gang
1Way, 7X7

GB302
10AX Switch 3Gang
2Way, 7X7

GB103
10A Bell Push, 7X7

GB2401
10AX Switch 4Gang 1Way,
7X14

GB2402
10AX Switch 4Gang 2Way,
7X14

GN181
10A Curtain Switch
2Gang 7x7

GB104
20A Switch 1Gang
Double Pole with
Indicator, 7X7

GB117
20A Intermediate
Switch 1Gang, 7X7

GB118
20A Switch 1Gang 2Way, 7X7

GN17
45A Switch 1Gang
with Indicator, 7X7

GN18
45A DP Switch 2Gang
W/LED Indicator, 7X14

Lighting Control Dimmers

Dimmer (BSEN 60669-2-1)



GB132
GB1100*



GB186 / GB191*

GB132

Light Dimmer 60-500W
240V 2Way Push Type, 7X7

GB186

Light Dimmer 150-1000W
240V 1Way Rotary Type,
7X7

GB1100 *

Light Dimmer 1Gang 400W
240V 2Way, 7X7 50HZ

GB191*

Light Dimmer 1000W 220V
1Way 50HZ

Power Socket Outlets plus USB Solutions

13A (BS 1363-2 & SASO 2203)

32A (BS 546)



GN12-G2
GN12-WOI-G2



GN13
GN67



GN124



GN125



GN52



GN35*



GB290

GN12-G2

13A Double Pole Socket with
Switch 1Gang with
Indicator, 7X7-G2

GN12-WOI-G2

13A Switched Socket 1G 7X7-G2

GN13

13A Double Pole Socket with
Switch 2Gang, 7X14

GN67

13A Switch Socket
W/Indicator 7X14

GB290

USB Charger 2Gang each 2.1A

GN52*

15A Double Pole Switch
Socket with Indicator, 7X7
Tested up to 32A
with 15A plug top

GN35*

15A Double Pole Switch
Socket with Indicator, 7X7
Tested up to 32A

GN124

13A 240V 1G Double Pole Switch
Socket with 20W USB A+C 7X7

GN125

13A 240V 2G Double Pole Switch
Socket with 20W USB A+C 7X14

(*) Available only for export market
Not available for KSA

TV/FM Outlets Satellite Outlets

BS 3041
(where applicable)



GB109



GB110



GB20910

Communication Socket Outlets

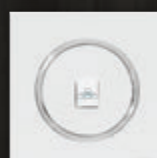
BS 5733
(where applicable)



GB119



GB219



GB137



GB237



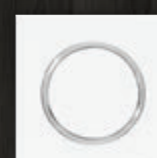
GB23710



GB21937



GB21910



GB108



GB2108

GB109

75 Ohm Angular TV Socket
1Gang, 7x7

GB110

Angular Satellite Socket
1Gang, 7x7

GB20910

75 Ohm TV Socket
+ Satellite Socket, 7x7

GB119

Telephone Jack 6P 4C RJ11
(American Type) 1Gang, 7x7

GB219

Telephone Jack 6P 4C RJ11
(American Type) 2Gang, 7x7

GB137

Data Socket Outlet
CAT6 - RJ45, 1Gang, 7x7

GB237

Data Socket Outlet
CAT6 - RJ45, 2Gang, 7x7

GB108

1Gang Blank Plug
Module, 7x7

GB23710

Data Socket + Sat Socket
7X7

GB21937

Telephone Jack 6P 4C RJ11
(American Type) + Data Outlet
CAT6 - RJ45, 7x7

GB21910

Telephone Jack 6P 4C RJ11
(American Type) + Angular
Satellite Socket, 7x7

GB2108

2Gang Blank Plug
Module, 7x7

Free Maintenance Service at Home for alfanar Products

Switches, Sockets, Distribution Boards, & Circuit Breakers



In 2023 **97%** Customer Satisfaction Rate
on services delivered by our Technical Support Team

Customer Service
800-124-1333

Scan the QR code
to learn more about our
free maintenance service



Notes

A series of horizontal dotted lines for writing notes.

Notes

A series of horizontal dotted lines for writing notes.



Scan the QR to download the catalogue

155481_Jan.2024